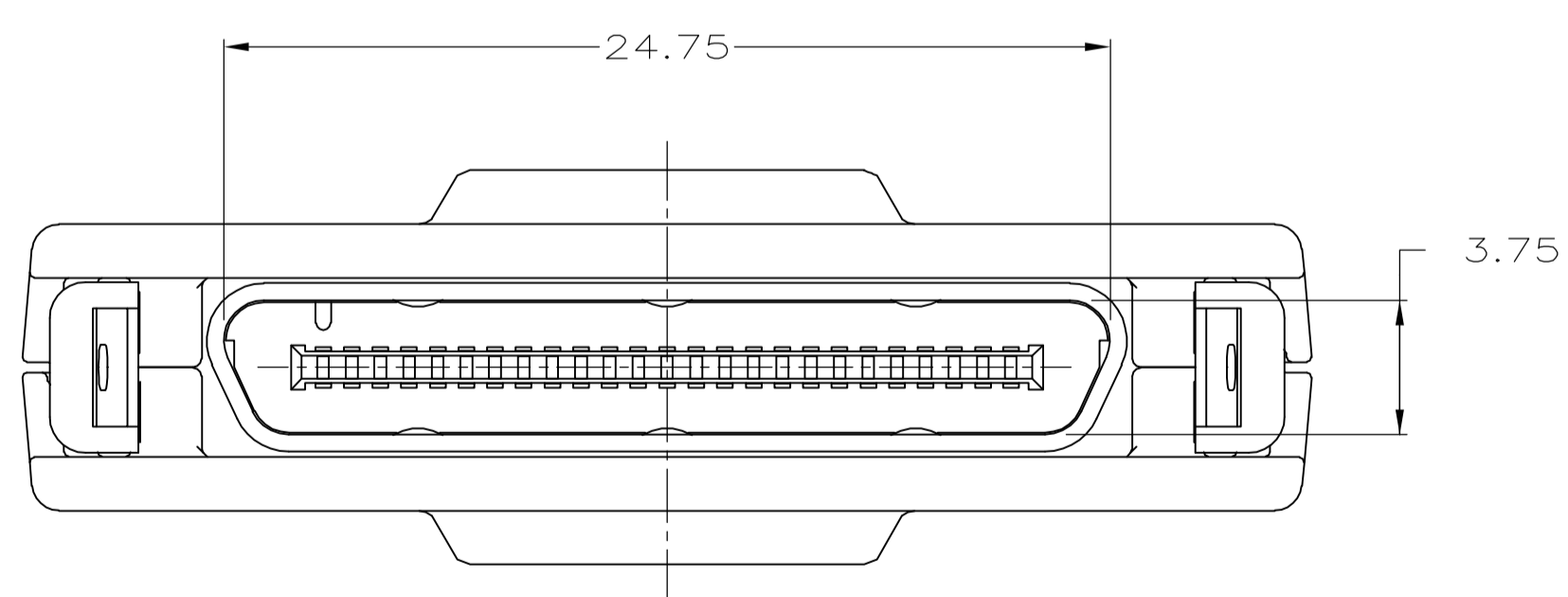
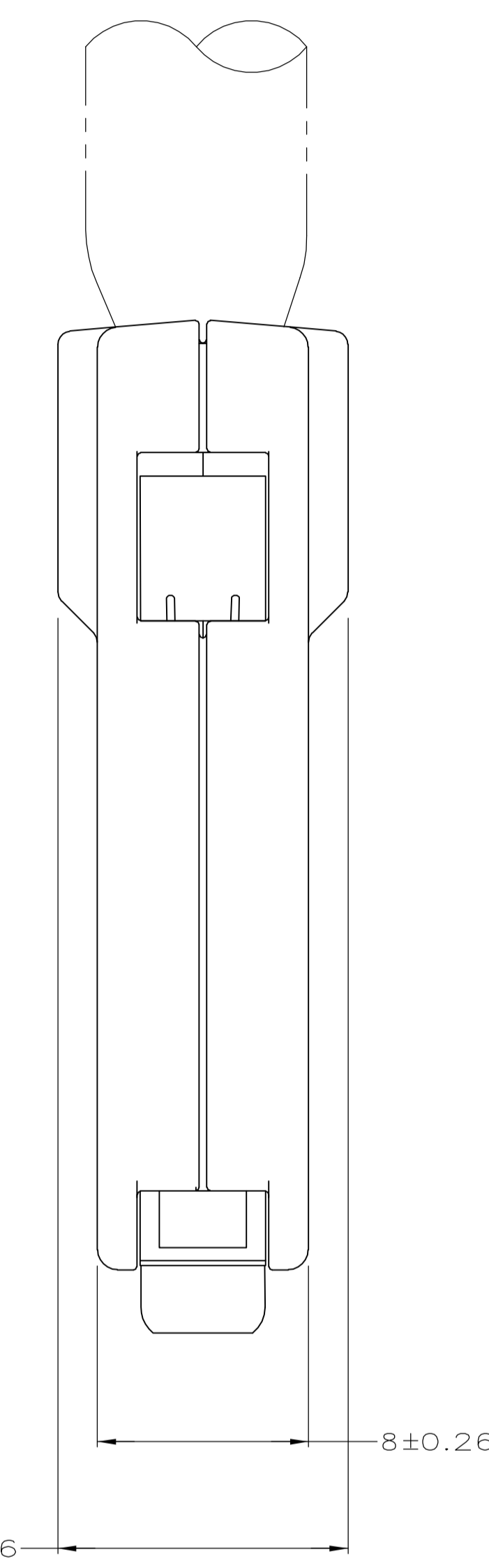
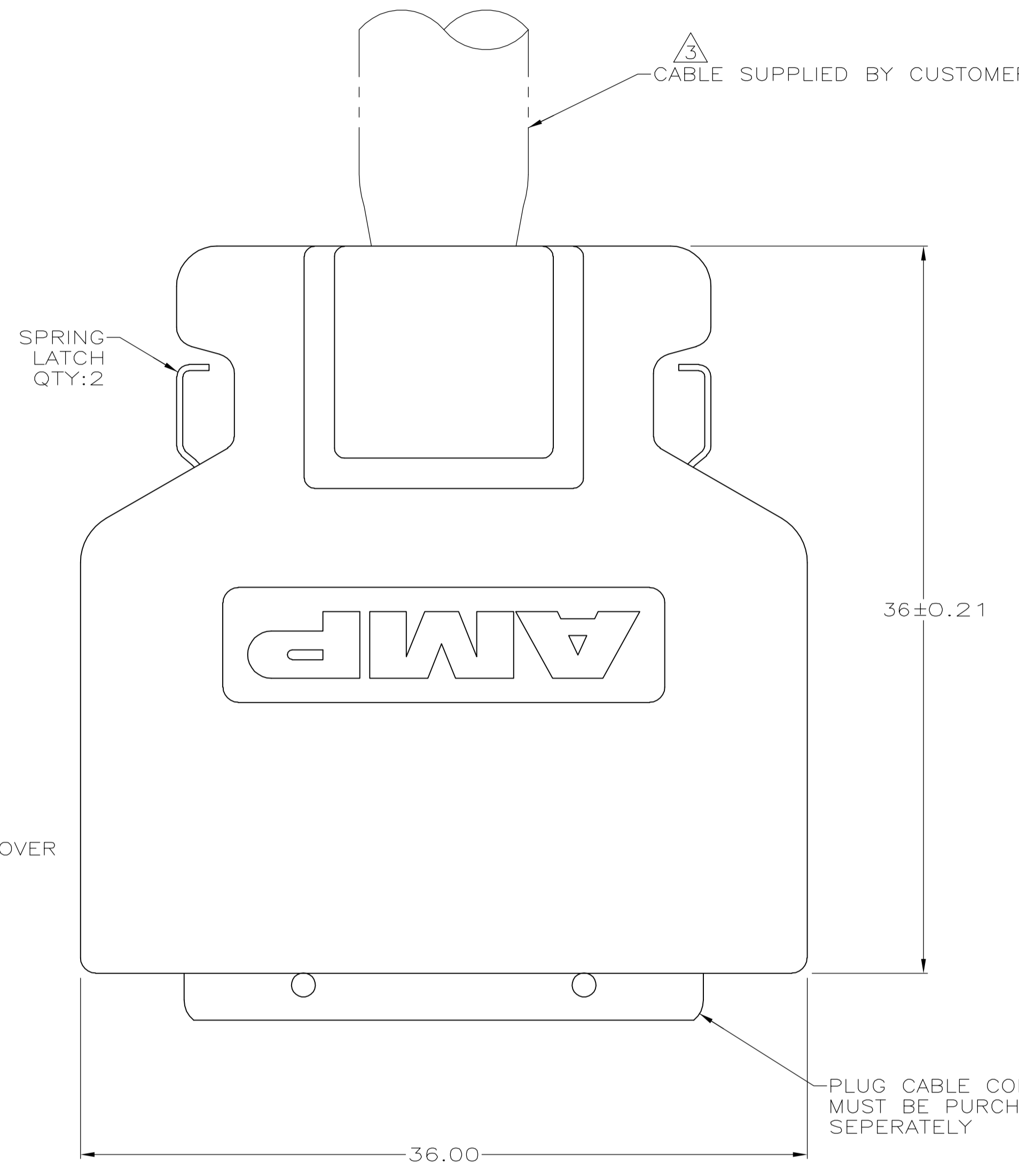
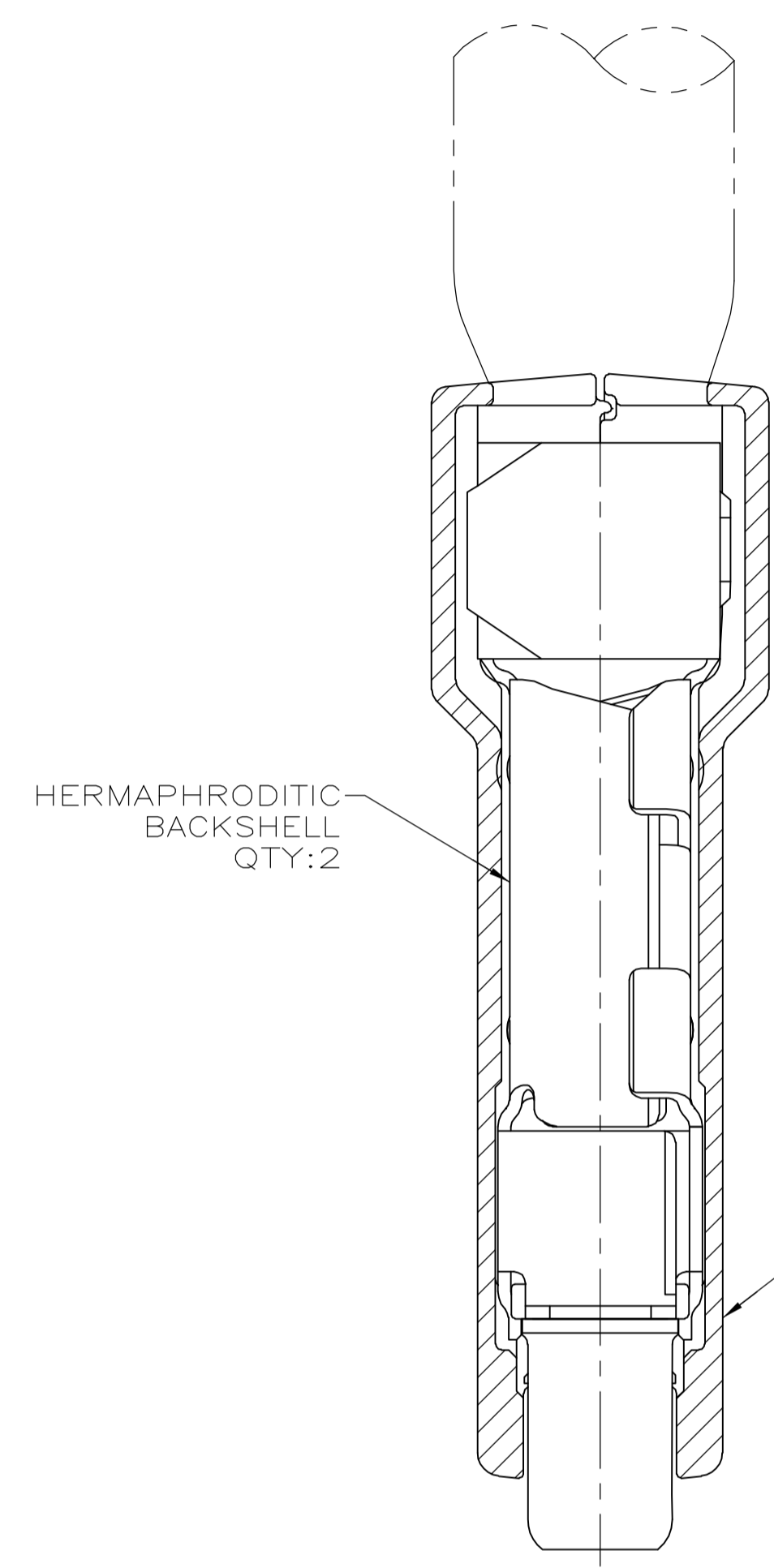


LOC		DIST		REVISONS			
GP	00	REV	DATE	BY	APP'D		
C1		REVISED PER ECO-06-004923	08AUG06	BM	SS		



- ⚠ MATERIAL:
 HERMAPHRODITIC BACKSHELL- STEEL.
 SPRING LATCH- STAINLESS STEEL.
 HERMAPHRODITIC SPRING LATCH COVER- UL 94V-0 RATED
 ABS MOLDING COMPOUND, COLOR-BLACK.
- ⚠ PLATING:
 HERMAPHRODITIC BACKSHELL- 5μm MIN BRIGHT NICKEL OVER
 2.5μm MIN COPPER.
- ⚠ RECOMMENDED WIRE: 30 AWG WITH A 0.56-0.64 INSULATION DIAMETER,
 WIRE MUST BE APPROVED BY AMP ENGINEERING.

OBSOLETE	INDIVIDUAL KIT	787133-2
	BULK KIT	787133-1
	PACKAGING TYPE	PART NUMBER

THIS DRAWING IS A CONTROLLED DOCUMENT.		DWG T. SHUEY	OB/MAROS	Tyco Electronics Corporation Harrisburg, Pa 17105-3608
DIMENSIONS: mm		CHK J. GERACE	OB/MAROS	
TOLERANCES UNLESS OTHERWISE SPECIFIED:		AP'D M. WALMSLEY		NAME
0 PLC ± -		PRODUCT SPEC		BACKSHELL KIT, 50 POSITION, SQUEEZE TO RELEASE, CABLE CONNECTOR, 0.8mm CHAMP
1 PLC ± -		APPLICATION SPEC		108-1471
2 PLC ± 0.13		SIZE		A1
3 PLC ± -		CAGE CODE		00779
4 PLC ± -		DRAWING NO		787133
ANGLES ± -		WEIGHT		-
FINISH		CUSTOMER DRAWING		SCALE 5:1 SHEET 1 OF 1 REV C1